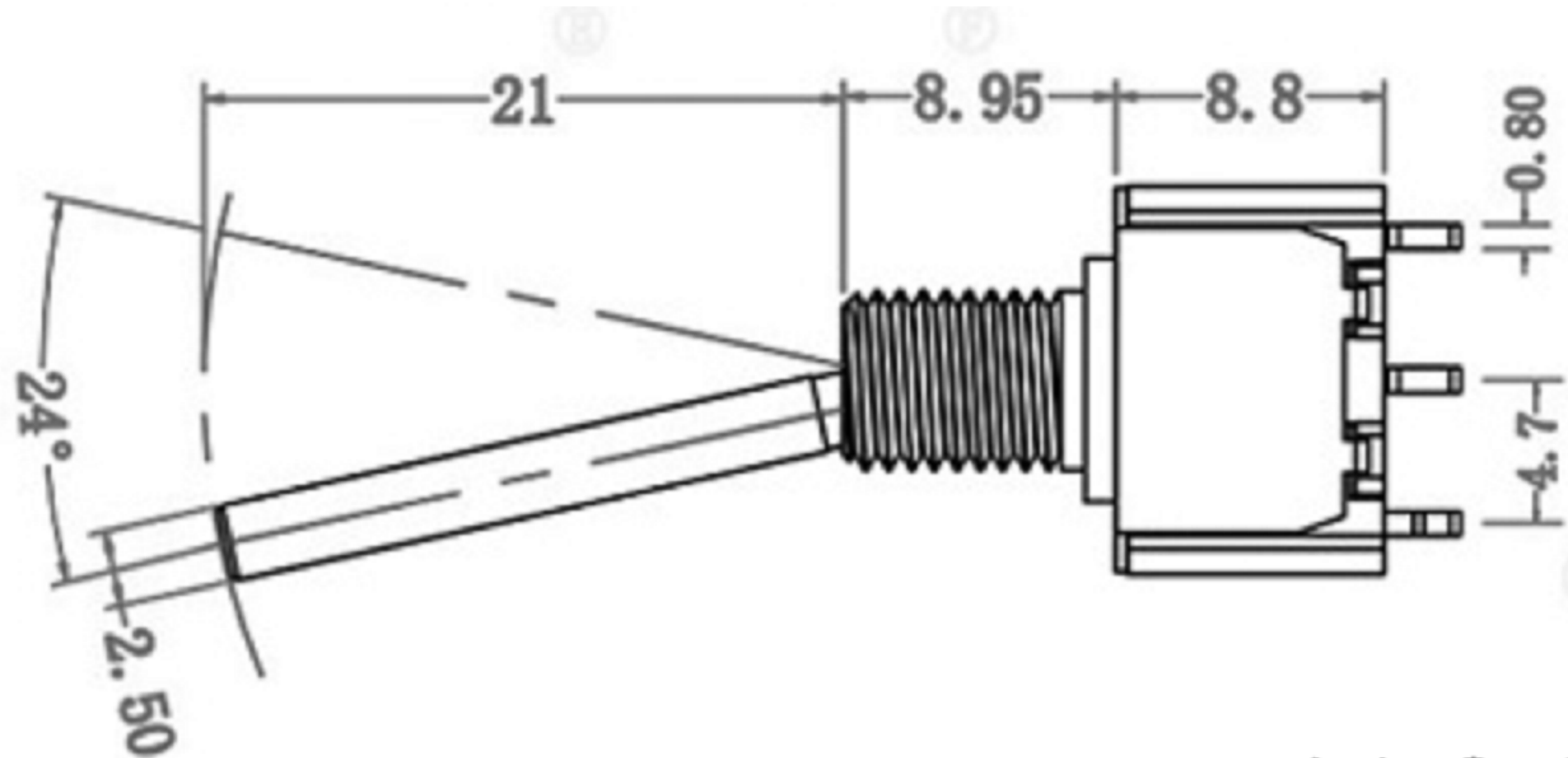
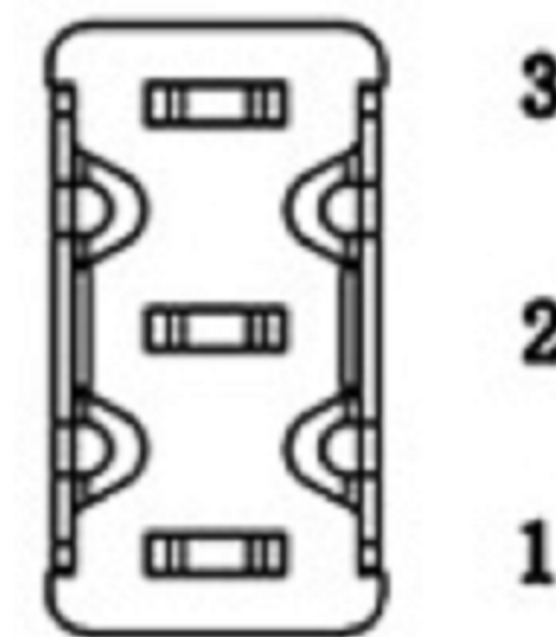


安装孔尺寸



标注: ①-⑥尺寸的重点检验尺寸



手柄位置及导通端子示意图

	POS. 1	POS. 2	POS. 3
Model NO.			
103	ON	OFF	ON
SCHEMATIC		OPEN	

**Technical characteristics**

**SPECIFICATION:** 3 A max. @ 125 VAC.  
 1.5 A max. @ 250 VAC.  
**MECHANICAL LIFE:** 40,000 make-and-break cycles.  
**CONTACT RESISTANCE:** 20mΩ max. initial @2-4VDC  
 100mA for both silver.  
**INSULATION RESISTANCE:** 1000 MΩ min.  
**DIELECTRIC STRENGTH:** 1000 VAC min.  
**OPERATING TEMPERATURE:** -25°C to +85°C.

**Materials**

**CASE:** PPA (UL 94V-0)  
**CAP:** PA66  
**HOUSING:** Stainless Steel.  
**ACTUATOR:** Alloy, nickel plated.  
**BUSHING:** Alloy, nickel plated.  
**CONTACT/TERMINALS:** Copper alloy silver plated.  
 RoHS

东莞市高迪电子有限公司  
 DONG GUAN GAO DI ELECTRONICS CO., LTD

TOLERANCE UNLESS OTHERWISE STATED:  
 Up to 5 ±0.2  
 Above 5 ~ 15 ±0.3  
 Above 15 ~ 30 ±0.4  
 Above 30 ~ 50 ±0.5  
 Angle ±0.3°

3RD. ANGEL'S

UNITS MM

DRAWN BY:	DATE	MAT'L	TITLE	Medium sized switch
Ming Ming Zou	07/23/13			
CHECKED BY:	DATE	FINISH	MODLE	Medium sized switch
Ning Ning Su	07/23/13			
APPROVED BY:	DATE	SCALE	DWG NO.	GD-MT-0-102-E006-T000-RS
Jia Xiang	07/23/13	1:1		
		SHEET NO.	PART NO.	
		1 of 1		

2	公差及料號更新	Jack	072313
1	圖面更新	Frank Wu	021012
ITEM NO.	DESCRIPTION	DRAWN	DATE

SIZE	A4
VER	R2